



RP700 Double Rescue Pulley (One-way Bearings)

Data Sheet



To assist in controlling the lower/release, the one-way bearings (when roped correctly) will not turn, which means that they then act as a static bollard thereby giving the operator greater control.

climb. work. rescue.

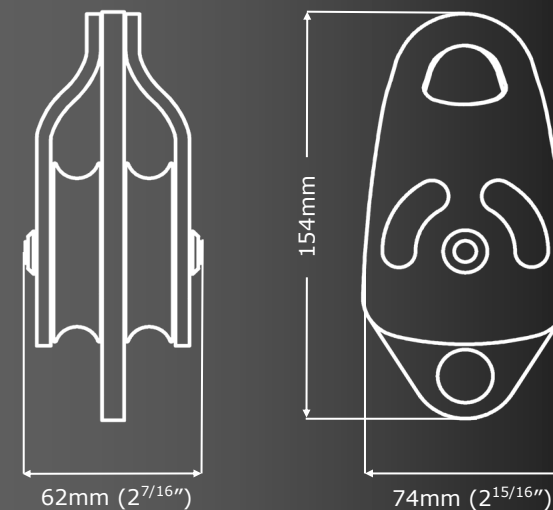
I|S|C

SOLUTIONS IN METAL

This rescue pulley can be used in a range of applications, such as hauling, tensioning & work positioning heavy loads.

The RP700 model is fitted with one-way locking bearings, which means that the pulley wheels lock during lowering. This increases friction, to provide additional control while lowering heavy loads.

When lifting, the wheels rotate freely, keeping the friction to a minimum.



Weight	649g (23oz)
Body Material	Aluminium
Finish	Anodised
Rope Size	10-13mm (3/8"-1/2")
MBS	30kN (6744lbf)
Standards	PPE Directive 89/686/EEC