



# RP704 Single Progress Capture Pulley (One way Bearings)

## Data Sheet



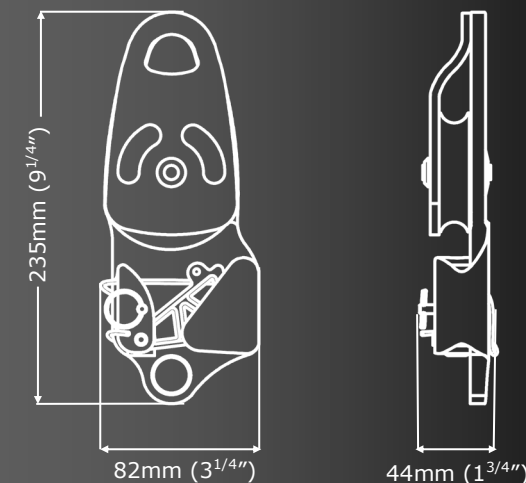
To assist in controlling the lower/release, the one-way bearings (when roped correctly) will not turn, which means that they then act as a static bollard thereby giving the operator greater control.

climb. work. rescue.

# ISC

SOLUTIONS IN METAL

Progress-Capture Pulleys incorporate a cam which (when roped correctly) automatically captures the load whilst lifting/pulling a load or tensioning a line. To lower/release the line the cam must be manually clamped by using the flexible Dyneema release cord and pinned clear of the rope during the lower/release of the line.



<b>Weight</b>	672g (25oz)
<b>Body Material</b>	Aluminium
<b>Finish</b>	Anodised
<b>Rope Size</b>	10-13mm (3/8"-1/2")
<b>MBS</b>	30kN (6744lbf)
<b>Standards</b>	EN567:97