



Notch Equipment
496 Gallimore Dairy Rd Ste D, Greensboro, NC 27409
NotchEquipment.com

WARNINGS

Activities involving the use of this equipment are inherently dangerous. The product user is solely responsible for their actions and decisions.

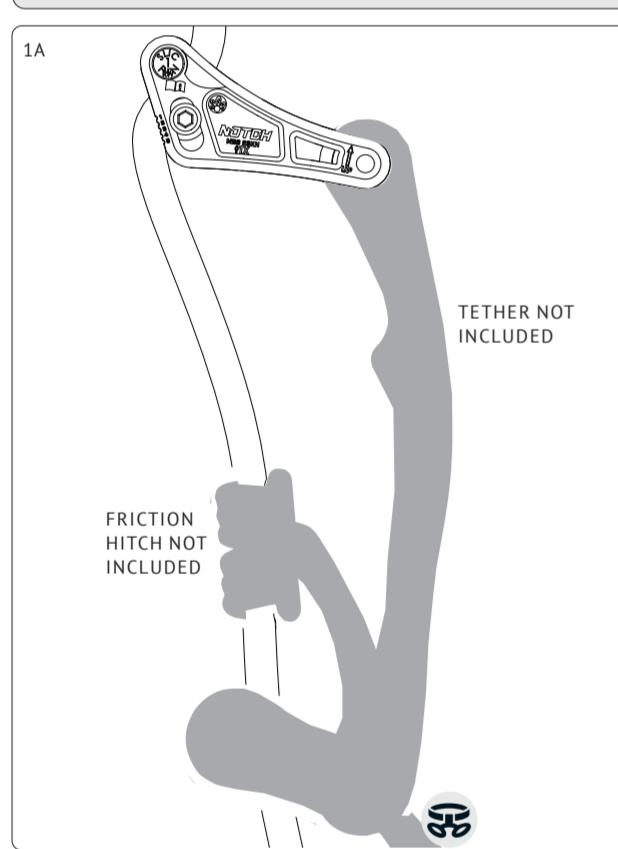
- Before using this equipment, user must:
- Read and understand all instructions for use.
- Understand, accept, and assume all risk and responsibilities for all damage, injury, or death that may result from use of this equipment.
- Obtain the necessary training from a qualified and competent instructor in its proper use.
- Fully understand and accept its capabilities and limitations.

FAILURE TO FOLLOW ANY OF THESE WARNINGS MAY RESULT IN SEVERE INJURY OR DEATH.

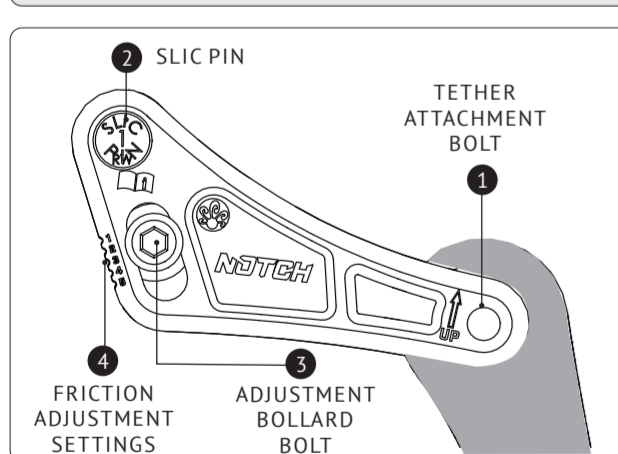
WARNING SYMBOLS



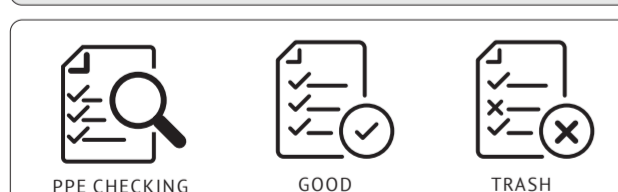
1 FIELD OF APPLICATION



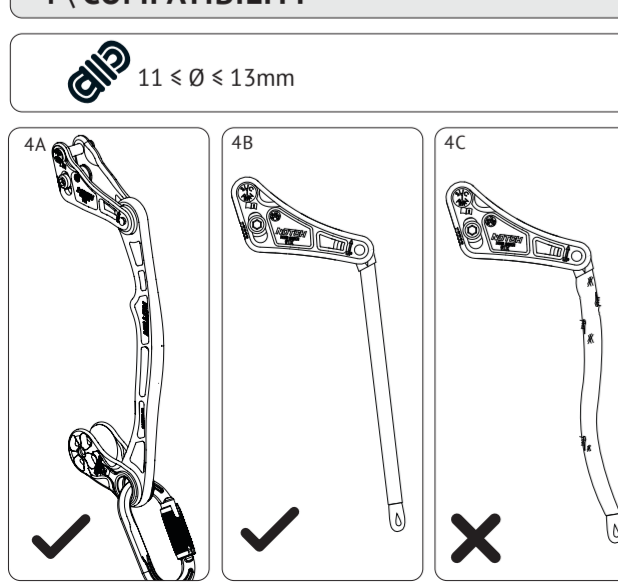
2 NOMENCLATURE OF PARTS



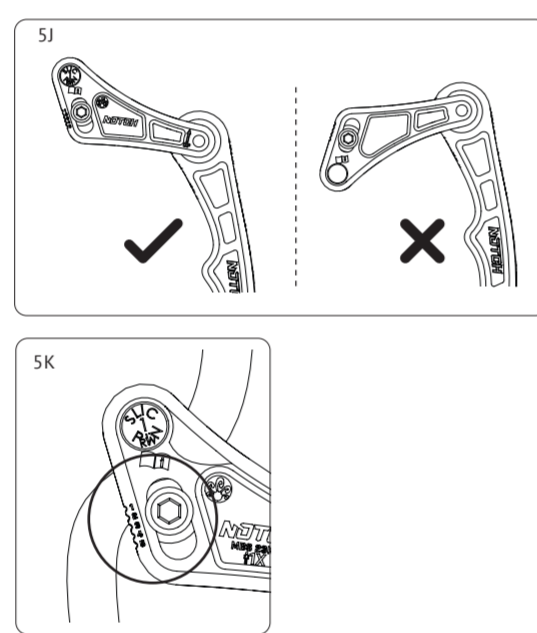
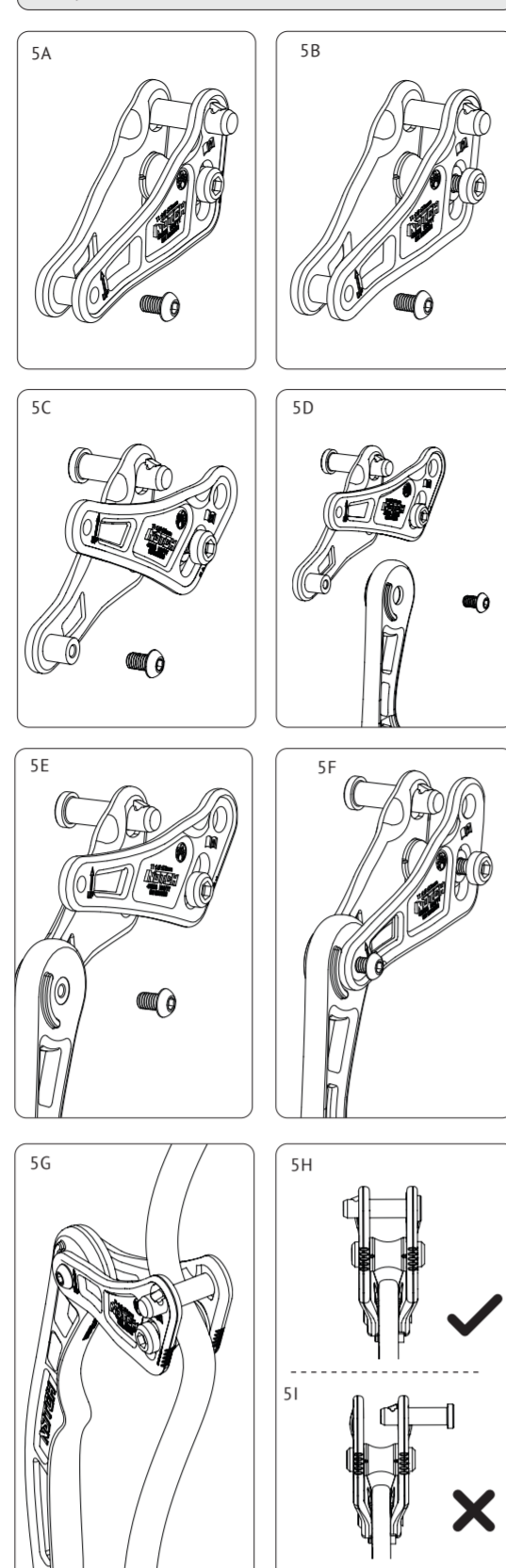
3 INSPECTION POINTS TO VERIFY



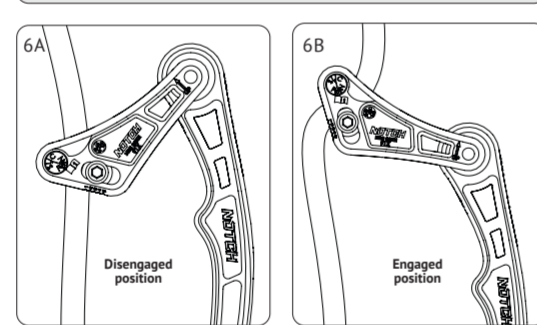
4 COMPATIBILITY



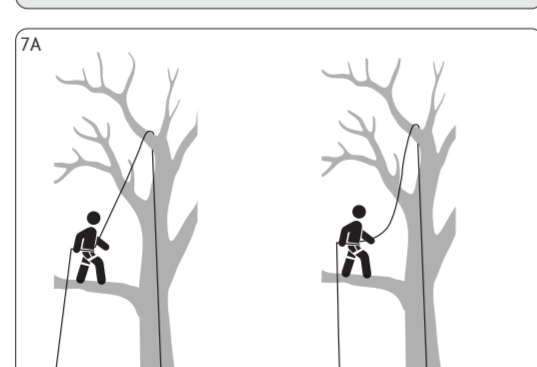
5 INSTALLATION



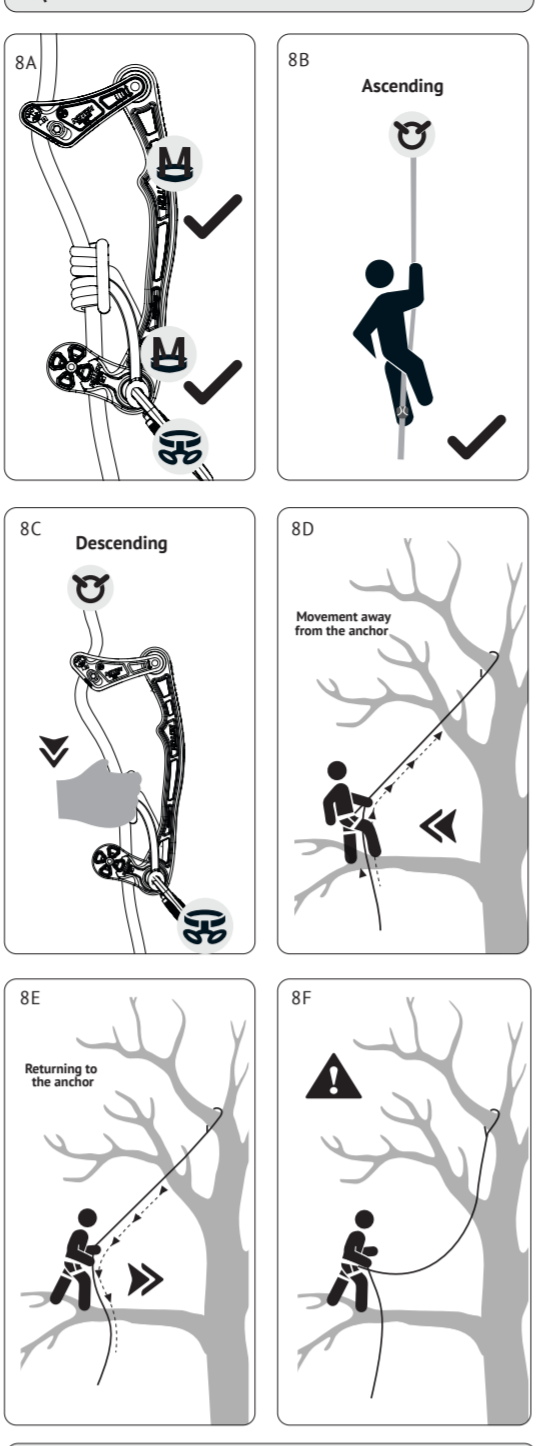
6 FUNCTION PRINCIPLE



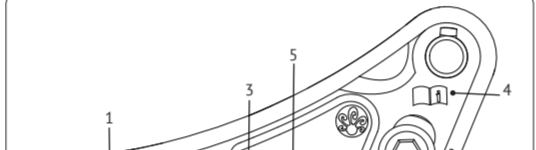
7 PRECAUTION FOR USE



8 USE



9 TRACEABILITY & MARKINGS



INSPECTION RECORD

Form for recording inspection details, including fields for Name and Contact Details of Supplier, Product Details, Date of First Use, and Inspection Details.

Form for recording inspection details, including fields for Date / Fecha, Next Inspection Date, and Inspection Details.

Form for recording inspection details, including fields for Date / Fecha, Next Inspection Date, and Inspection Details.

Form for recording inspection details, including fields for Date / Fecha, Next Inspection Date, and Inspection Details.

INSPECTION RECORD

Form for recording inspection details, including fields for Name and Contact Details of Supplier, Product Details, Date of First Use, and Inspection Details.

Form for recording inspection details, including fields for Date / Fecha, Next Inspection Date, and Inspection Details.

Form for recording inspection details, including fields for Date / Fecha, Next Inspection Date, and Inspection Details.

Form for recording inspection details, including fields for Date / Fecha, Next Inspection Date, and Inspection Details.

INSPECTION RECORD

Form for recording inspection details, including fields for Name and Contact Details of Supplier, Product Details, Date of First Use, and Inspection Details.

Form for recording inspection details, including fields for Date / Fecha, Next Inspection Date, and Inspection Details.

Form for recording inspection details, including fields for Date / Fecha, Next Inspection Date, and Inspection Details.

Form for recording inspection details, including fields for Date / Fecha, Next Inspection Date, and Inspection Details.

INSPECTION RECORD

Form for recording inspection details, including fields for Name and Contact Details of Supplier, Product Details, Date of First Use, and Inspection Details.

Form for recording inspection details, including fields for Date / Fecha, Next Inspection Date, and Inspection Details.

Form for recording inspection details, including fields for Date / Fecha, Next Inspection Date, and Inspection Details.

Form for recording inspection details, including fields for Date / Fecha, Next Inspection Date, and Inspection Details.

