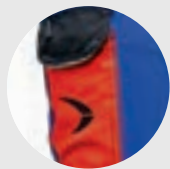




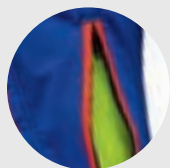
FORESTRY



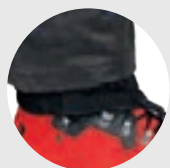
TREE CARE



Extra-large phone pocket



Ventilation zips for maximum temperature compensation



With removable gaiters (Type A only)



Extendable with zip-off suspenders



Extendable with Gladiator® suspenders



EN 381-5 | TYPE A

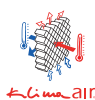


class 1 20m/s

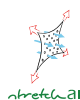
EN 381-5 | TYPE C



class 1 20m/s



KlimaAIR



StretchAIR

100% MEMBRAN FREE

Arborist Chainsaw Protection Pants Type A / Type C

- StretchAIR® technology
- KlimaAIR® around the waist
- Very light (Type A)
- Dyneema chainsaw protection class 1
- Gladiator® Extreme reinforcements protect the front and inside of the leg
- Removable gaiters (Type A only)
- Preformed knee part
- Cocona lining
- Reflective Paspol stripes

New cut redesigned to increase the freedom of movement with lower weight. The continuous ventilation fabric at the front prevents the accumulation of heat. The Arborist Chainsaw Protection Pants are adapted for climbing work. StretchAIR® and KlimaAIR® for unrestricted freedom of movement. Gladiator® Extreme reinforcements on the legs provide optimal protection.

The Type C pants are equipped with all-round chainsaw protection to protect the back of the legs from injuries.

Material:

Stretch fabric: 92 % polyamide, 8 % elastane
Knee reinforcement: 100 % polyamide
Lining: 100 % Cocona PES
Chainsaw protection: Dyneema

Sizes: (Special products possible)

XS–XL, LS: XXL
Large sizes + 10 % surcharge

Item 102218 Type A
Item 106651 Type C

short
regular
long

SlimFit



40



90



360S



361S



These items may also interest you:



P. 50



P. 155



P. 49



P. 95

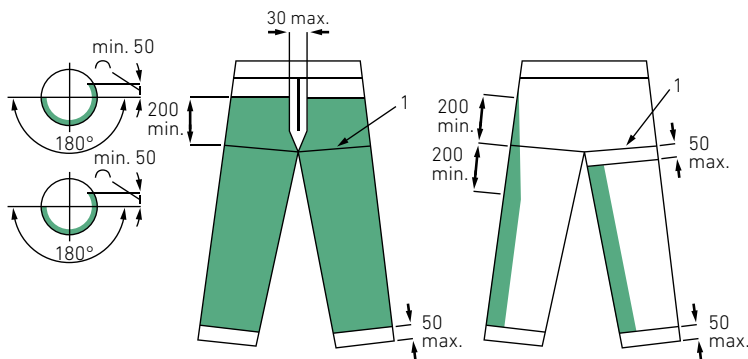
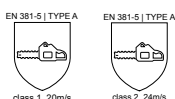


P. 167

CHAINSAW PROTECTION

Type A

(dimensions in mm)



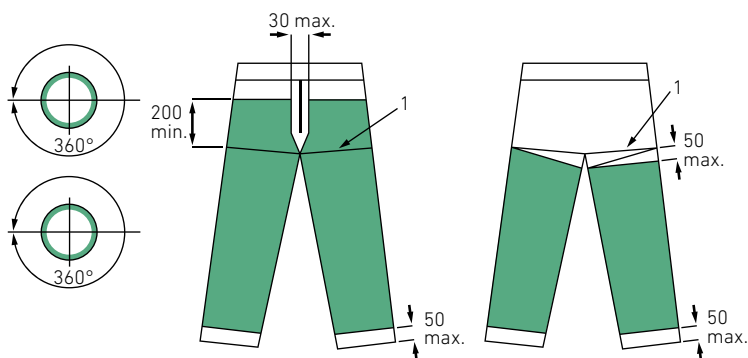
■ Protection area

Front

Back

Type C

(dimensions in mm)



■ Protection area

Front

Back

How does it work?

Chainsaw protection pants are protective clothing for working with a motor chainsaw and is intended to protect against injuries in the leg area. At the most vulnerable places in the front leg area, a layer of loosely woven, very long, fine, tear-resistant threads is integrated between the outer and inner pants materials from the ankle to the hip.

In case of contact, the chainsaw cuts the outer fabric and picks up the threads from the protective layer, which then wrap around the drive wheel of the chainsaw and block the machine in a split second.

In recent years, the European chainsaw protection standard EN 381 has been completely revised and adapted to the requirements of the times and current technologies. These revisions have been integrated into the new cut protection standard EN 11393. During the transition period, both standards remain valid and continue to offer the maximum safety with our products.

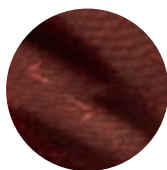
Chainsaw protection pants are defined by EN 381-5. There are two forms for the leg protection: The **Type A** is intended for professional chainsaw operators in conventional wood harvesting operations. The chainsaw protection is essentially limited to the front of the legs. The **Type C** is to be used by persons who are at risk of being injured by the chain saw on the back of the leg. **Type C** pants have the protection area on the front and back (enclosed protection).

The chainsaw protection pants are divided into 4 classes: Class 0: up to 16 m/s, Class 1: up to 20 m/s, Class 2: up to 24 m/s, Class 3: up to 28 m/s

In a central application test the KWF (Board of Forestry and Forestry technology) checks the application value of personal protective equipment. After a wearing time of one year the respective test persons assess the quality of the PPE with a specially developed questionnaire. The assessment includes the equipment, wearability, durability and wear resistance as well as the maintainability of the product.



Gladiator®



Gladiator® Extreme



FPA-approved